



Model Number

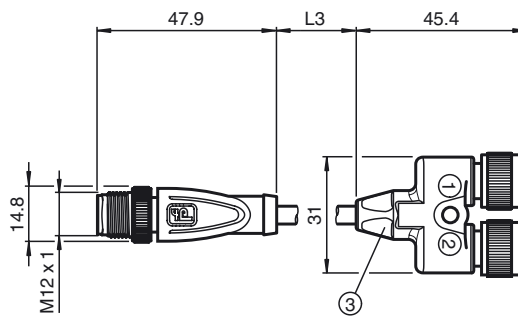
V1-G-T-BK0,6M-PUR-U-V1-G

Y connecting cable, M12 to 2xM12, 4-pin, PUR cable

Features

- Simple assembling of 2 signals to one M12 plug-in station
- Immunity to vibration, with mechanical latching
- UL Recognized Component
- Suitable for drag chains
- Flame resistant cable
- Halogen-free
- Resistant to microbes and hydrolysis

Dimensions



Technical data

General specifications

Number of pins 4

Electrical specifications

Operating voltage U_B max. 30 V AC/DC

Operating current I_B max. 4 A

Volume resistance $\leq 5 \text{ m}\Omega$

Surge protection overvoltage category III

Ambient conditions

Ambient temperature Body: -40 ... 90 °C (-40 ... 194 °F)
cable, fixed: -40 ... 80 °C (-40 ... 176 °F)
cable, flexing: -20 ... 80 °C (-4 ... 176 °F)

Pollution Degree 3

Mechanical specifications

Contact elements spring-loaded contact socket

Pin diameter 1 mm

Degree of protection IP67

Connection 1 x M12 connector, straight
2 x M12 straight sockets

Material

Contacts CuSn / Au

Contact surface Au

Body TPU, black

Cable PUR

Slotted nut Diecast zinc

Sleeve connector Diecast zinc

Core insulation PP

Cable extra-fine wire, flexible

Sheath diameter $\varnothing 4.3 \text{ mm}$

Bending radius $> 10 \times$ cable diameter, moving
 $> 5 \times$ cable diameter, fixed

Color black

Cores $4 \times 0.34 \text{ mm}^2$

Conductor construction $42 \times 0.1 \text{ mm } \varnothing$

Length L $L3 = 0.6 \text{ m}$

Drag chain suitability

Drag chain cycles ≥ 5000000

Motion velocity $\leq 3.3 \text{ m/s}$

Torsional stress $\pm 180 \text{ }^\circ/\text{m}$

Flammability

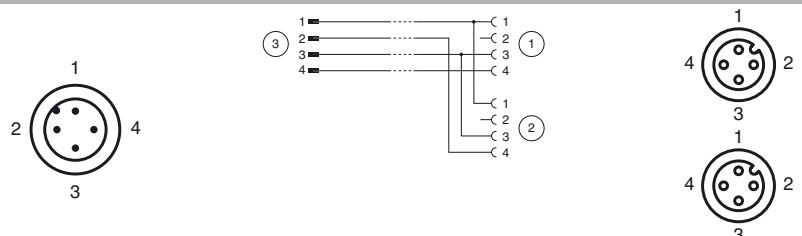
Contact carrier 94 HB

Housing 94 V-2

Cable FT2

Compliance with standards and directives

Electrical connection



Standard conformity	
Degree of protection	EN 60529:2000
Standards	IEC 61076-2-101:2008
Flammability	Grip: UL 94 Cable: UL 758 / UL 1581
Halogen-free	IEC 60754-1:1994/DIN VDE 0472-815
Approvals and certificates	
UL approval	cURus AWM 20549 AWM I/II A/B 80°C 300V FT2 (cable)
Maximum permissible operating voltage ≤ 30 V	
Maximum permissible ambient temperature ≤ 80 °C (≤ 176 °F)	

Release date: 2015-10-26 12:05 Date of issue: 2015-10-26 281614_eng.xml